

Data Sheet

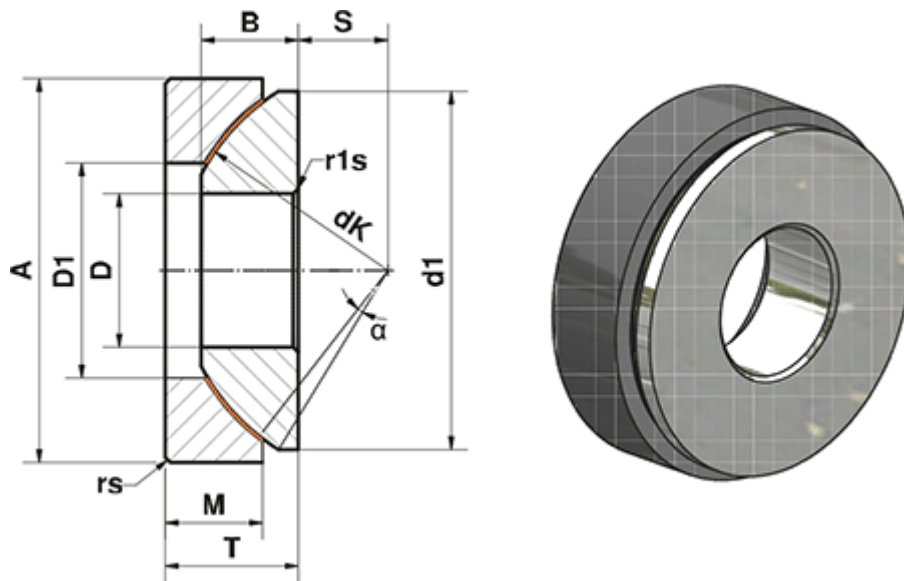


Article number: 03450050

Description: Fluro Heavy Duty Spherical Plain Bearing GE 50 AWE
Hole Ø50

Note: 50

Measures



A	= 130	M	= 30.5
a (degrees)	= 6	rs, r1s min	= 1
B	= 33	S	= 30
D	= 50	Static load C0 (kN)	= 2836
D1	= 71	T	= 42.5
d1 min	= 120	Weight (g)	= 3140
dK	= 139		
Dynamic load C (kN)	= 1702		